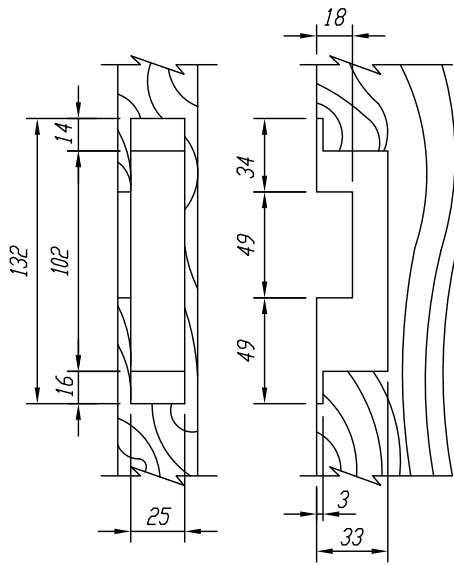
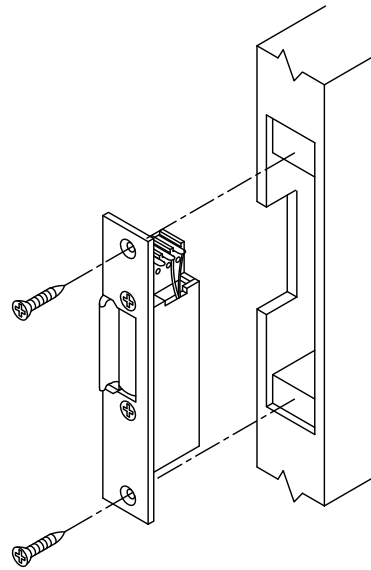


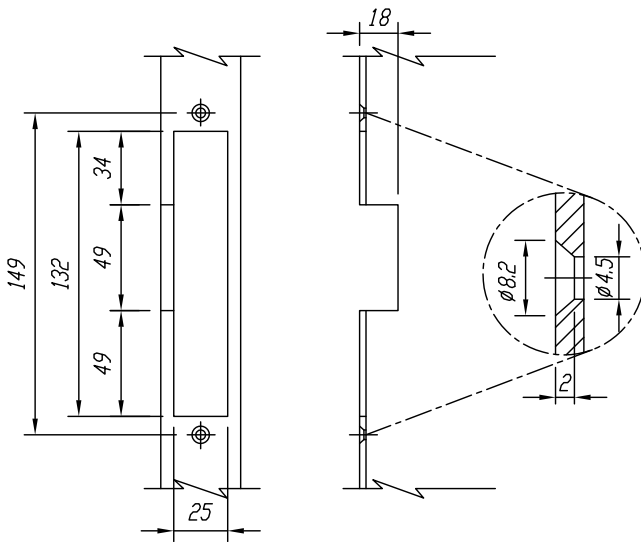
DRAWINGS FOR INSTALLATION INSTRUCTION OF ELECTRIC LOCK



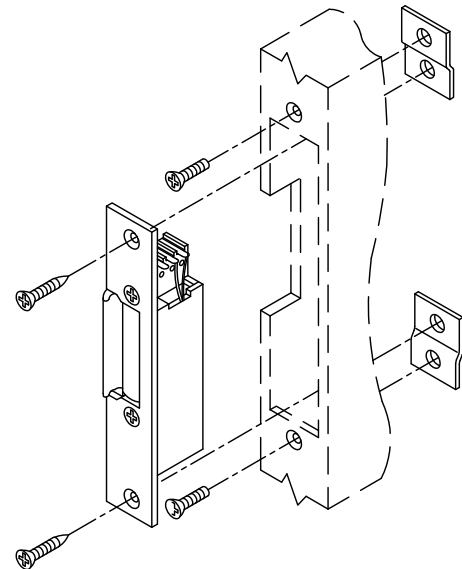
size of cutout
(wooden door)



to fix with screws
(wooden door)



size of cutout
(metal door)



to fix with screws
(metal door)

CIRCUIT DIAGRAM
MODEL : EL-209B
AC-12V DC-9V

