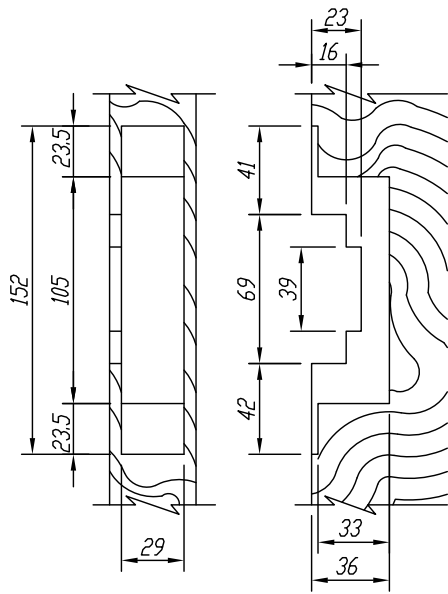
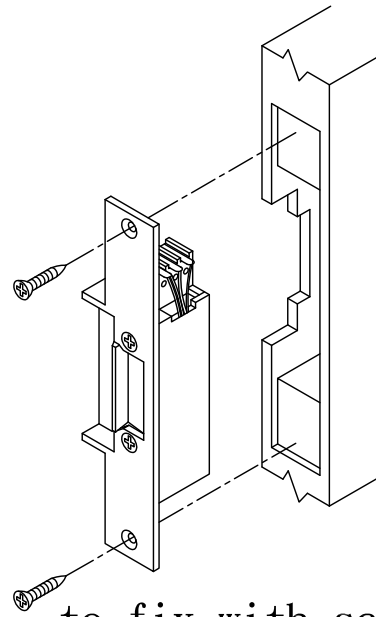


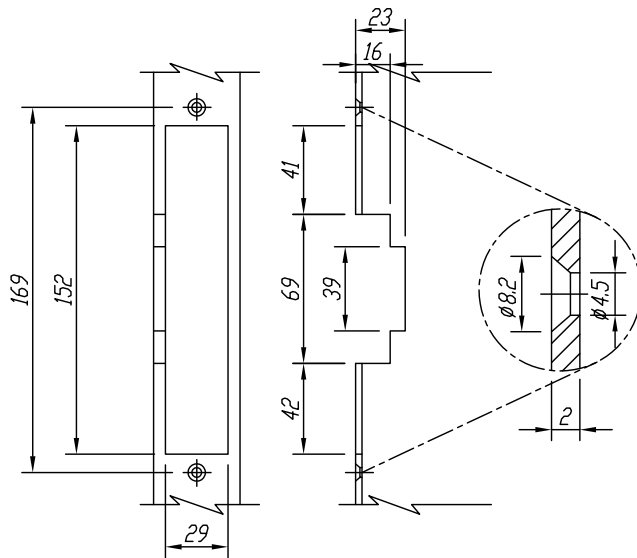
# DRAWINGS FOR INSTALLATION INSTRUCTION OF ELECTRIC LOCK



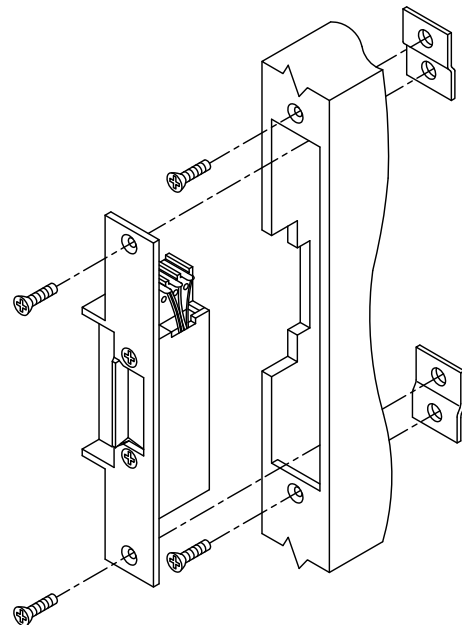
size of cutout  
(wooden door)



to fix with screws  
(wooden door)



size of cutout  
(metal door)



to fix with screws  
(metal door)

CIRCUIT DIAGRAM  
MODEL : EL-300A  
AC-12V DC-9V

