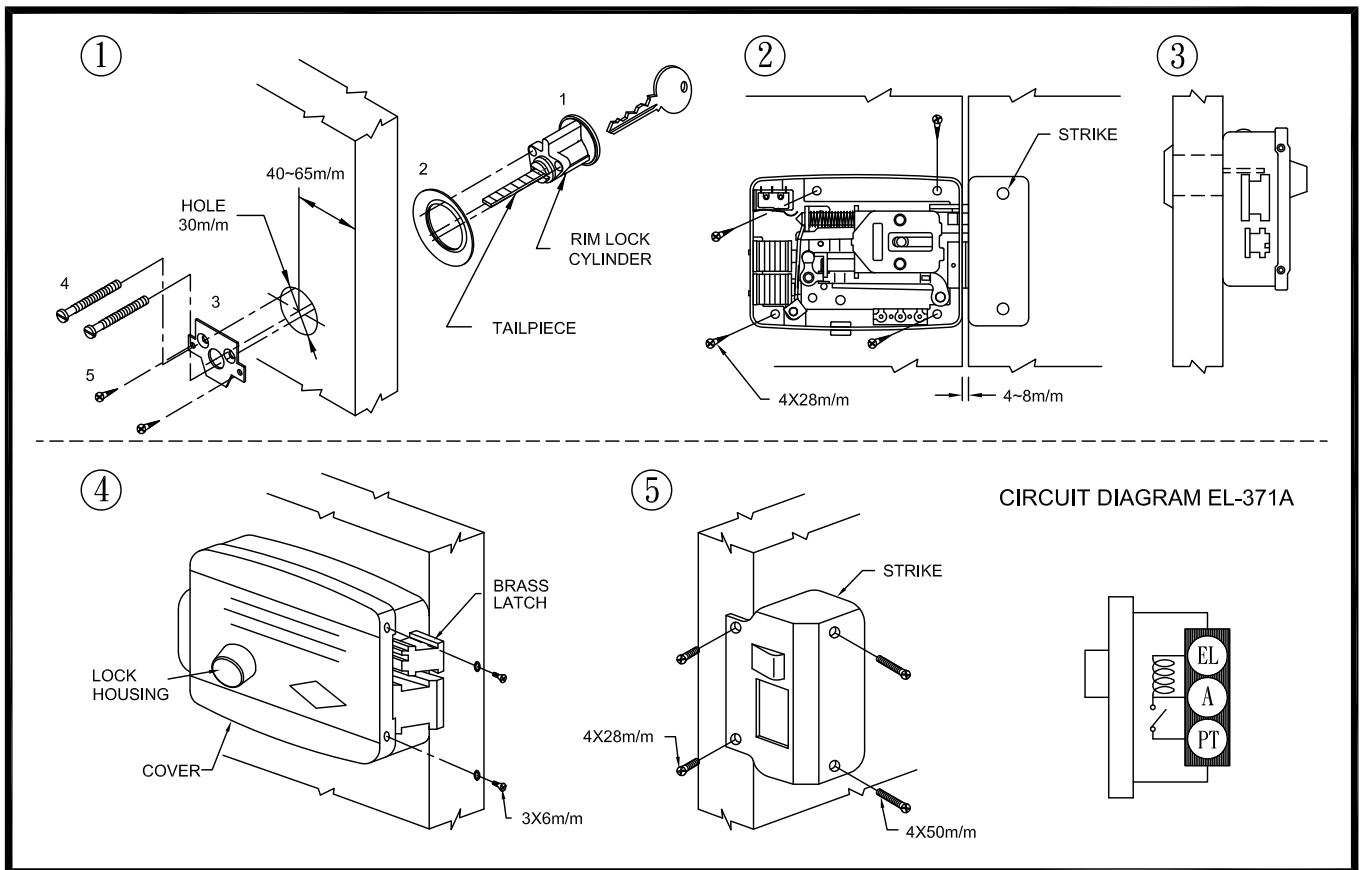


# DRAWING FOR INSTALLATION INSTRUCTION OF EL-371A



## YU'S ELECTRIC CO., LTD.

### INSTALLATION INSTRUCTION

#### EL-371A Electric Lock

##### I. Installation of Rim Lock Cylinder:

- Bore 30mm Dia. hole at recommended height: 36" to 38" from bottom of door. Hole center to door edge to be 40~65mm.
- Install the Lock Cylinder in order of 1,2,3,4,5 on Drawing ①.

##### II. Installation of Lock Housing:(See Drawing ②)

- Open the cover of Lock Housing by loosening the screw on Drawing ④
- Place Lock Housing on door, guiding Tailpiece into rectangular hole on back of Lock Housing.
- Place Strike on Jamb to fit Brass Latch. Position both Strike and Lock Housing to make a clearance of 4~8mm in between.
- Put down Strike. Tighten Lock Housing with four 4x28mm wood screws.  
(If on metal door, must use self-tapping screw)

##### III. Installation of Strike:

- Re-position Strike according to II.c. Tighten Strike with screws as Drawing ⑤.  
(If on metal Jamb, must use self-tapping screw)

##### IV. See Drawing ③ for position of Lock Housing and Rim Lock Cylinder.

##### V. Connect wires according to circuit diagram.

##### VI. Re-cover Lock Housing and fix with screw as Drawing ④.