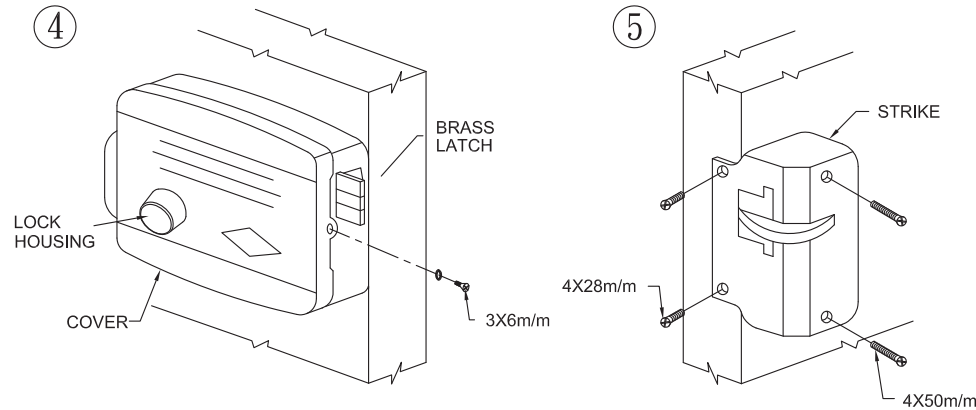
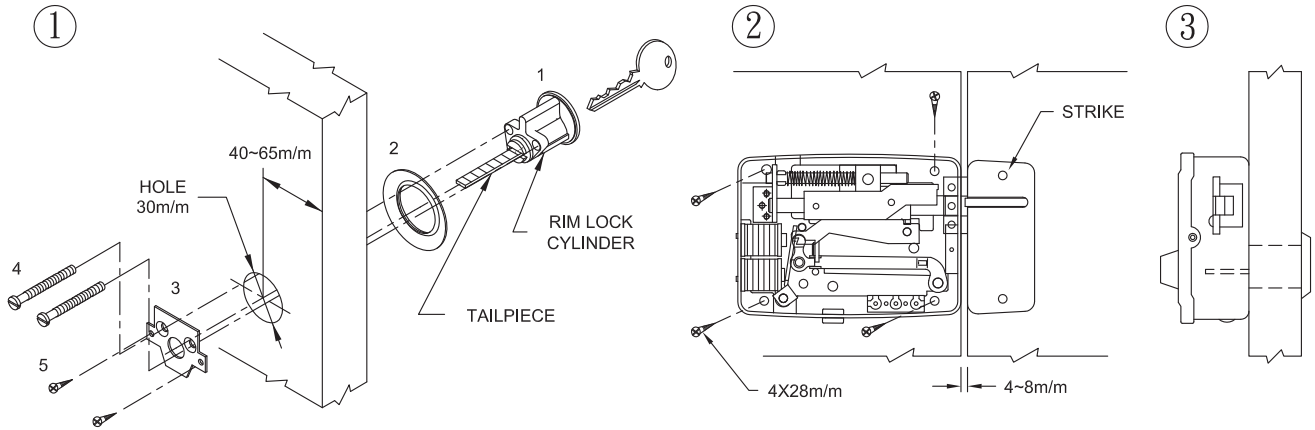
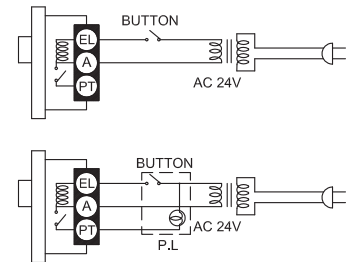


DRAWING FOR INSTALLATION INSTRUCTION OF EL-380A



CIRCUIT DIAGRAM EL-380A



YU'S ELECTRIC CO., LTD.

INSTALLATION INSTRUCTION

EL-380A Electric Lock

I. Installation of Rim Lock Cylinder:

- a. Bore 30mm Dia. hole at recommended height: 36" to 38" from bottom of door. Hole center to door edge to be 40~65mm.
- b. Install the Lock Cylinder in order of 1,2,3,4,5 on Drawing ①.

II. Installation of Lock Housing:(See Drawing ②)

- a. Open the cover of Lock Housing by loosening the screw on Drawing ④.
- b. Place Lock Housing on door. guiding Tailpiece into rectangular hole on back of Lock Housing.
- c. Place Strike on Jamb to fit Bass Latch. Position both Strike and Lock Housing to make a clearance of 4~8mm in between.
- d. Put down Strike. Tighten Lock Housing with four 4x28mm wood screws.
(If on metal door, must use self-tapping screw)

III. Installation of Strike:

- Re-position Strike according to II.c. Tighten Strike with screws as Drawing ⑤.
(If on metal Jamb, must use self-tapping screw)

IV. See Drawing ③ for position of Lock Housing and Rim Lock Cylinder.

V. Connect wires according to circuit diagram.

VI. Re-cover Lock Housing and fix with screw as Drawing ④ .

